

Crawler Tractor

PR 716

Litronic®

Operating Weight:

13,300 – 15,800 kg
29,320 – 34,830 lb

Engine Output:

93 kW / 125 HP (SAE J1349)
93 kW / 126 HP (ISO 9249)
Stage IV / Tier 4f



LIEBHERR

Performance

Outstanding grading and pushing performance

Efficiency

Cost efficiency comes standard

Engine (ISO 9249):

93 kW / 126 HP
Tier 4f / EU Stage IV

Engine (SAE J1349):

93 kW / 125 HP
Tier 4f / EU Stage IV

Operating Weight:

13,300 – 15,800 kg
29,320 – 34,830 lb

Blade Capacity:

2.75 – 3.11 m³
3.60 – 4.07 yd³

Hydrostatic Travel Drive
with electronic control unit



Reliability

Robust design in every regard

Comfort

Ample space, ergonomics and comfort – All in one

Maintainability

Simple maintenance and an extensive service network



Performance



Outstanding Grading and Pushing Performance

Power and innovative technology are the hallmarks of Liebherr crawler tractors. Whether for precision grading or heavy pushing, the PR 716 is a powerful machine for any application.

High Productivity

Powerful Engines ...

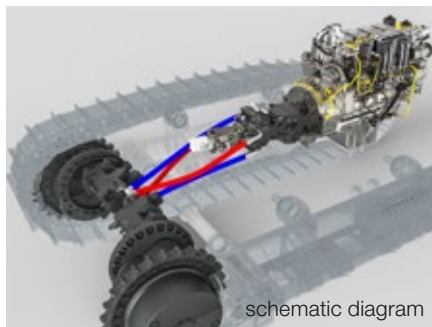
Liebherr diesel engines are designed for the harsh conditions of construction sites and provide the right amount of power in every situation. Depending on the job requirements different operating modes are available for maximum power or fuel-saving operation.

... and an Intelligent Drive System

The hydrostatic travel drive operates smoothly and automatically adjusts the working speed to the load conditions. The engine's power is always transmitted to both tracks without interruption. This permits exact and powerful steering; track slip is minimized and operators can concentrate completely on their work.

Safe on Every Terrain

The drive components have been placed to provide a very low centre of gravity while ensuring maximum ground clearance. This allows for safe operation on the most challenging of steep slopes and embankments, especially in conjunction with the wide LGP undercarriage.



Liebherr-Hydrostatic Drive

- Automatic speed and torque adjustment optimizes transmission of engine power to the tracks as the load changes. This results in maximum traction and minimum track slip
- The high efficiency of the hydrostatic drive is available over the entire speed range

Precise Control

Excellent Maneuverability

When working in tight areas, the hydrostatic travel drive offers an additional benefit. All steering motions – including turning on the spot – are fast and effortless. This makes the PR 716 an exceptionally maneuverable machine, on large and small construction sites.

Outstanding Grading Attributes

Crawler tractors in the compact-size class must provide maximum versatility. The PR 716 delivers an exceptionally smooth ride, precise blade control and perfect view of the blade. This ensures maximum productivity both when pushing heavy material and when precisely fine-grading.

Automatic Machine Control

2-D or 3-D machine control is becoming increasingly indispensable to enhancing the productivity of the operator and machine. Thanks to their stepless drive concept, Liebherr crawler tractors are ideal for this type of control. To make implementation simple and problem-free, the PR 716 can be fitted with factory-installed preparation kits for grade control systems of all renowned suppliers.



Precise Finegrading

- Long tracks and an extremely rigid oscillating bar keep the machine well balanced
- The precise working hydraulics and perfect matching of equipment and base machine provides optimal blade control at all times



2D and 3D Grade Control Technologies

- Liebherr grade control-ready kits provide customers with freedom to choose the optimum system. Laser as well as GNSS control or total station systems can be used on the same machine
- The PR 716 can therefore be easily adapted to specific project requirements

Efficiency



Cost Efficiency Comes Standard

Liebherr crawler tractors are designed from the ground up with economy in mind. Highly efficient drive concept, long service life of components and low maintenance requirements reduce operating costs and increase profits.

Unrivalled Economy

The Latest Engine and Exhaust Technology

The PR 716 is equipped with one of the newest generation diesel engines, which complies with Stage IV/Tier 4 final emissions standards. Liebherr-SCR technology: the exhaust gas undergoes selective catalytic reduction through injection of urea (DEF, AdBlue®). A diesel particulate filter is not required. As a result, the engine operates in a temperature range of maximum efficiency. The constant, low engine speed, in combination with Common-Rail injection, ensures optimized cylinder charging and, in turn, even more efficient fuel combustion.

Highly Efficient Driveline

The high efficiency of the hydrostatic drive extends over almost the entire speed range. The engine's power is transmitted with minimum loss and fuel consumption is further reduced.

Lower CO₂ Emissions

With exhaust emission values that comply with the most stringent legislation and even provide greater fuel economy than that of previous models, Liebherr Generation 6 crawler dozers set new standards by minimizing their environmental impact.



Eco-Mode

- The Eco-Mode reduces the engine speed at the push of a button lowering fuel consumption even further. Ideal for light- and medium-duty applications
- Additional functions such as Auto-idle or as Auto-engine shutdown, increase economy in daily operation

Universal 6-Way Blade

- Spreading material, filling up trenches, building embankments or final grading: the 6-way blade makes the PR 716 a machine with universal working capabilities
- The optional blade with hinged corners limits the transport width to 3 m. With no tools required, the machine can be made ready for transport with minimum effort and set-up costs are optimized

Always Informed with LiDAT

- The Liebherr LiDAT data transmission and positioning system contributes to effective fleet management
- Utilising the latest communication technology, LiDAT provides comprehensive operational data, for efficient machine management, optimized resources, and remote monitoring

Optimized for Every Job

A Variety of Track Options

Thanks to the various undercarriage sizes and track shoe options offered, the PR 716 can be ideally configured for specific operation conditions – no matter if in rocky terrain, on steep slopes or on soft ground.

Undercarriage with Rotary Bushings

As the perfect feature when working on very abrasive ground, Liebherr offers tracks with free-turning bushings (FTB). The large, rotating bushings minimise track and sprocket wear; in addition, chain links and rollers have even more wear material. This extends the service life of the entire undercarriage considerably in these specific applications.

Working in Tough Conditions

Specially developed special-duty packages are available for forestry work or for use in particularly low temperatures – as low as -30 °C. This ensures that the PR 716 is durable enough to withstand harsh working conditions whilst continuing to operate with maximum efficiency.

Reliability



Robust Design in Every Regard

Today's construction sites require machines with maximum versatility and ruggedness. The PR 716 meets these demands perfectly: thanks to components designed specifically for construction machinery, proven technology and innovative customer-specific solutions, you can expect maximum availability.

Liebherr Driveline

Wear-Free Drive Concept

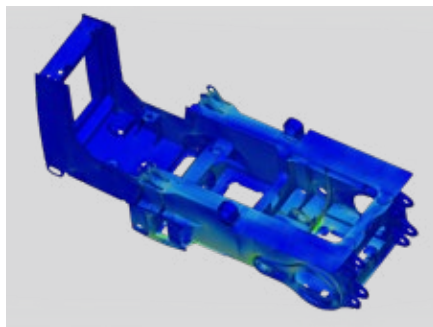
The proven Liebherr hydrostatic travel drive does not need components such as a torque converter, manual gearbox, differential steering or steering clutches. The high-quality hydraulic pumps and motors operate reliably and practically without wear.

Controlled Warm Up

When high demands are made of a machine with a cold engine, the result is unnecessary component wear. This is prevented with Liebherr's Generation 6 crawler tractors as diesel engine RPM is automatically limited after a cold start. Only when the engine temperature reaches a safe range is the RPM at a maximum and full power released.

Safety in Operation

Safety for both operator and machine is an absolute priority for construction equipment. The hydrostatic drive is self-locking and as soon as the joystick is returned to the neutral position or the inch pedal is depressed, the PR 716 is reliably brought to a standstill, even on steep terrain. A fully-automatic parking brake provides additional safety.



Rugged Design

Main Frame with a Proven Box-Section Design

The main frame is constructed using a proven box-section design, which provides maximum torsional stiffness and optimal absorption of forces.

An Intelligent Cooling System

Hydraulically driven fans are activated as needed to regulate the operating temperature independently of the engine's speed. This guarantees short warm-up times and reliable cooling – even in extremely dusty surroundings. For especially critical operating conditions, a fan that reverses automatically can be provided.

Optimized Equipment

The work tools on the PR 716 are designed for the most severe applications. All blades are fitted with a highly-resistant moldboard, ensuring excellent durability even when handling wear-intensive materials.

From the Screen to the Construction Site

- Optimized layout: at the development stage components are designed with state-of-the-art software tools
- Extensive test bench runs are the next important step in the development process
- Long-term field tests under rigorous conditions ensure maximum machine availability

Key Technologies from Liebherr

- Liebherr has decades of experience in developing, designing and manufacturing components and, as a result, offers maximum reliability
- The very latest production technologies coupled with a high proportion of Liebherr manufactured parts ensure that each component meets the most stringent quality requirements

Liebherr Lubricants and Operating Fluids

- Nowadays lubricants are considered to be a design element and are therefore a major component of all modern construction machines
- Liebherr offers an extensive range of high quality lubricants and operating fluids. These are designed specifically for use in Liebherr machines and ensure excellent durability for all components with the lowest possible operating costs

Comfort



Comfort, Space and Ergonomics: All in One

The completely redesigned working environment offers exceptional operator comfort. With its generous space, ergonomic layout and low sound levels, the Liebherr comfort cab provides the perfect conditions for fatigue-free and focused work.

Deluxe Cab

Ergonomic and Purposely Designed

The well-thought-out design of the operator's cab provides the essential conditions for relaxed and productive work. All instruments and operating controls are carefully organized for easy reach. An unobstructed view of the work equipment and perfect all-round visibility allows the operator to concentrate fully on the task at hand.

Convenience in Daily Use

Well thought-out solutions, such as a cooled storage compartment, additional footrests, 3D armrest adjustment and a powerful air conditioning system enhance operator comfort and productivity during daily operation.

Quiet and Dust-Free

Thanks to effective sound insulation and modern, low-noise diesel engines, the PR 716 feature extremely low noise levels that lie well below the legal limits. The pressurized cab keeps the operator's environment free of dust from the surroundings.

Simple and Intuitive Operation

Single-Lever Control

All driving functions can be controlled smoothly and precisely with only one operating lever – including the “turning on the spot” function. The travel joystick is optionally available in either a proportional or a detented version – this allows control to be matched optimally to the needs of the operator.

Safety-Plus Comfort Seat

The standard air-suspended seat adjusts perfectly to the operator and deactivates the machine automatically on exiting the cab.

The Hydrostatic Drive as Service Brake

The crawler tractor operates with continuous power on both tracks even when driving on slopes. Thanks to the self-locking nature of the hydrostatic drive system, the operator can bring the machine to a stop at any time simply by returning the joystick to the “neutral” position – or by depressing the inching pedal. An automatically activated parking brake provides additional safety.



Individual Set-Up

- The intuitive touch-controlled screen conveniently displays all important operating data
- At the push of a button, the operator can adjust a wide variety of machine settings – for example, the response of the travel drive precisely to his needs

Intuitive Control

- The new ergonomically shaped joysticks provide the operator with a relaxed, fatigue-free hand posture
- 3 speeds can be programmed individually
- In addition, an inching pedal is available. It can be operated with or without lowering the engine speed – perfect customisation for the operator.

Unrivalled Visibility

- Additional safety features such as larger panoramic windows, downward-sloping edges all-round and the integrated ROPS/FOPS protection give the operator unmatched all-round visibility
- Greater productivity: thanks to large-scale doors and optimized engine covers, the operator always has an excellent view of the work equipment

Maintainability



Simple Maintenance and an Extensive Service Network

Thanks to their minimal maintenance requirements, Liebherr crawler tractors make a reliable contribution to your economic success. A dense service network means short distances and fast response times for the user.

Cost-Effective Maintenance

Simple Daily Checks

All items that the operator checks during daily routine inspections are readily accessible on one side of the engine. The hydraulically tilted cab provides easy access to components as well. Service work can be performed quickly and efficiently.

Long Maintenance Intervals

Perfectly matched components and lubricants allow for exceptionally long maintenance intervals. Hydraulic oil change intervals of up to 8,000 operating hours save costs and minimise downtime.

Optimal Planning

Planned Costs

Liebherr crawler dozers come with extensive standard warranties for the entire machine and the drive train. Customized inspection and service programs allow optimal planning of all maintenance activities.

Remanufacturing

The Liebherr remanufacturing program offers cost-effective reconditioning of components to the highest quality standards. Various reconditioning levels are available: Replacement components, general overhaul or repair. The customer receives components with original part quality at a reduced cost.

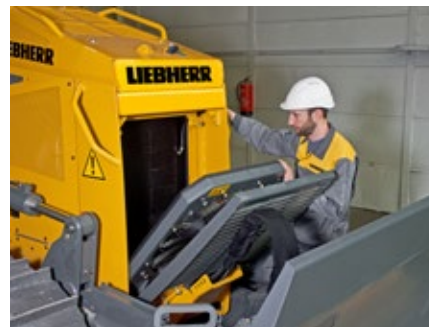
The Focus is on the Customer

Professional Advice and Service

Professional advice is a given at Liebherr. Experienced specialists provide decision guidance for your specific requirements: application-oriented sales support, service agreements, value-priced repair alternatives, original parts management, as well as LiDAT remote data transmission for machine planning and fleet management.

Continuous Dialog with Users

We utilise the expert knowledge and practical experience of our customers to consistently optimise our machines and services – real solutions for real situations.



Easy Access

- All service points are centrally located and easily accessible. Thanks to wide-opening access doors, routine inspection of the machine is easily performed
- Lubrication points for the equalizer bar bearing and for the C-frame connections are located within easy reach on one side of the machine

Tilt-Out Cooling Fan

- Cleaning the radiator system, particularly in very dusty environments, is made considerably easier as the PR 716's radiator grill and fan can both be folded out when required. This helps maximize the machine's working time

Expedited Spare Parts Service

- 24-hour delivery: spare parts service is available for our dealers around the clock
- Electronic spare parts catalog: fast and reliable selection and ordering via the Liebherr online portal
- With online tracking, the current processing status of your order can be viewed at any time

Technical Data



Engine

Liebherr Diesel engine	D 924 A7 Emission regulations according to 97/68/EC, 2004/26/EC Stage IV, EPA/CARB Tier 4f
Rated power (net)	
ISO 9249	93 kW/ 126 HP
SAE J1349	93 kW/ 125 HP
Maximum power (net)	
ISO 9249	
SAE J1349	107 kW/ 146 HP 107 kW/ 144 HP
Rated speed	2,100 rpm
Displacement	4.5 l/275 in ³
Design	4 cylinder in-line engine, water-cooled, turbocharged, air-to-air intercooler
Injection system	Direct fuel injection, Common Rail, electronic control
Lubrication	Pressurised lube system, engine lubrication guaranteed for inclinations up to 35°, on all sides
Operating voltage	24 V
Alternator	140 A
Starter	5.5 kW/7 HP
Batteries	2 x 100 Ah/12 V
Air cleaner	Dry-type air cleaner with pre-cleaner, main and safety elements, control light in the operator's cab
Cooling system	Combi radiator, comprising radiators for water, hydraulic fluid and charge air. Hydrostatic fan drive



Hydraulics

Hydraulic system	Open-center with load-sensing valve block
Pump type	Gear pump
Pump flow max.	97 l/min./25.6 gpm/21.3 Imp.gpm
Pressure limitation	220 bar/3,190 psi
Control valve	3 segments, expandable to 4
Filter system	Return filter with magnetic rod in the hydraulic tank
Control	Single joystick for all blade functions



Travel Drive, Control

Transmission system	Infinitely variable hydrostatic travel drive, independent drive for each track
Travel speed*	Continuously variable
Speed range 1 (reverse):	0 – 4.0 km/h/2.5 mph (4.5 km/h/2.8 mph)
Speed range 2 (reverse):	0 – 6.0 km/h/3.7 mph (8.0 km/h/4.9 mph)
Speed range 3 (reverse):	0 – 10.0 km/h/6.2 mph (10.0 km/h/6.2 mph)
	* Travel speed ranges can be set on the travel joystick (memory function)
Electronic control	The electronic system automatically adjusts travel speed and drawbar pull to match changing load conditions
Steering	Hydrostatic
Service brake	Hydrostatic (self-locking), wear-free
Parking brake	Multi-disk brake, wear-free, automatically applied with neutral joystick position
Cooling system	Hydraulic oil cooler integrated in combi radiator, hydrostatic fan drive
Filter system	Micro cartridge filters in replenishing circuit
Final drive	Combination spur gear with planetary gear
Control	Single joystick for all travel and steering functions. Optional: detented Joystick, with inching pedal



Operator's Cab

Cab	Resiliently mounted cab with positive pressure ventilation, can be tilted with hand pump 40° to the rear. With integrated ROPS Rollover Protective Structure (EN ISO 3471) and FOPS Falling Objects Protective Structure (EN ISO 3449)
Operator's seat	Air-suspended comfort seat, fully adjustable
Monitoring	Touch screen: display of current machine information, automatic monitoring of operating conditions. Individual setting of machine parameters

Undercarriage

	XL	LGP
Design	Undercarriage with rigid bottom rollers	
Mounting	Via separate pivot shafts and equalizer bar	
Track chains	Lubricated, single-grouser shoes, tensioning via a steel spring and grease tensioner	
Links, each side		
	39	39
Track rollers, each side		
	7	7
Carrier rollers, each side	1 (2*)	1 (2*)
Sprocket segments, each side	5	5
Track shoes, standard	560 mm/22"	610 mm/24"
Track shoes, optional		711 mm/28" 762 mm/30"

* Rotary bushing undercarriage FTB: 2 carrier rollers

Sound Levels

Operator sound exposure ISO 6396	
L _{pA} (in the cab)	75 dB(A)
Exterior sound pressure 2000/14/EC	
L _{WA} (to the environment)	109 dB(A)

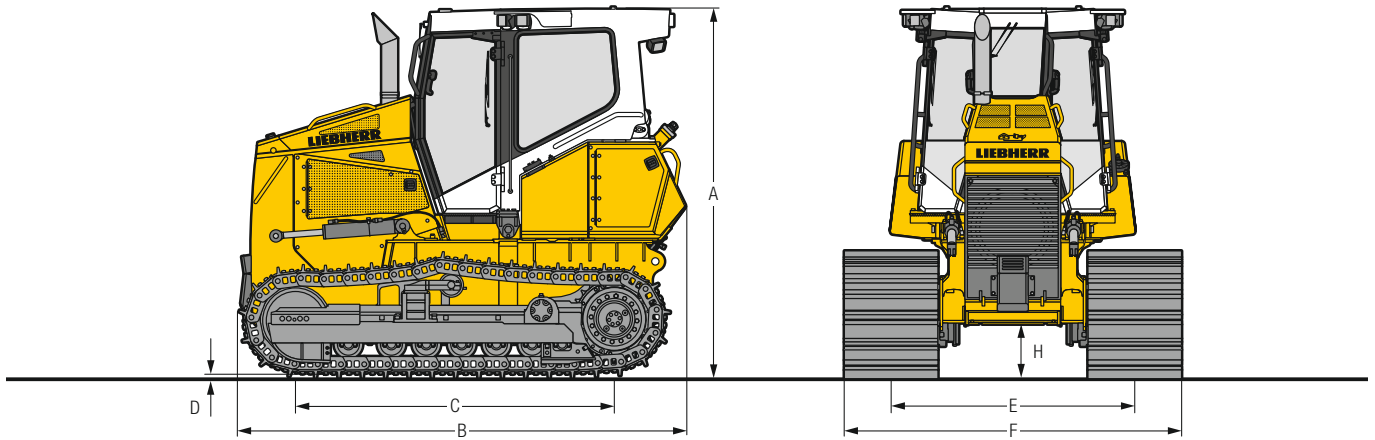
Refill Capacities

Fuel tank	320 l/84.5 gal/70.4 Imp.gal
Diesel Exhaust Fluid (DEF) tank	50 l/13.2 gal/11 Imp.gal
Cooling system	24 l/6.3 gal/5.3 Imp.gal
Engine oil, with filter	19 l/5 gal/4.2 Imp.gal
Hydraulic tank	101 l/26.7 gal/22.2 Imp.gal
Final drive XL, LGP, each side	7.5 l/2 gal/1.6 Imp.gal

Drawbar Pull

Max.	215 kN
at 1.5 km/h / 0.9 mph	190 kN
at 3.0 km/h / 1.9 mph	96 kN
at 6.0 km/h / 3.7 mph	49 kN
at 9.0 km/h / 5.6 mph	32 kN

Dimensions

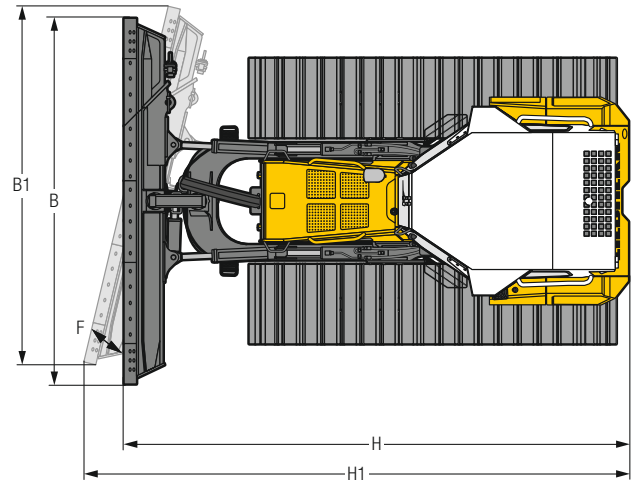
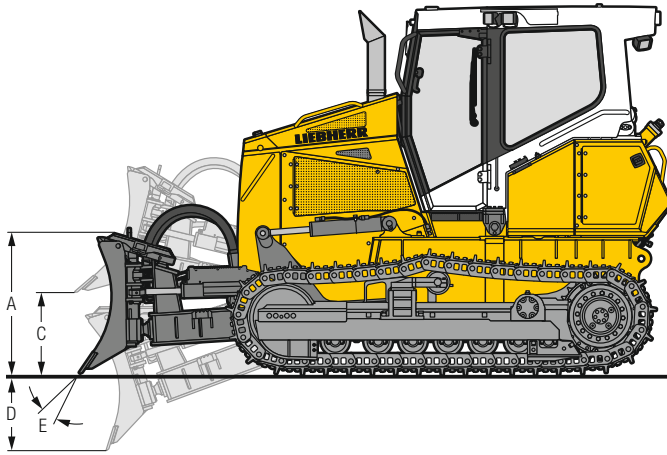


Dimensions

Undercarriage			XL	LGP
A Height over cab	mm		3,012	3,012
	ft in		9'11"	9'11"
B Overall length without attachments	mm		3,655	3,655
	ft in		12'	12'
C Length of track on ground	mm		2,605	2,605
	ft in		8'7"	8'7"
D Height of grousers	mm		55.5	55.5
	ft in		2.19"	2.19"
E Track gauge	mm		1,780	1,980
	ft in		5'10"	6'6"
H Ground clearance	mm		443	443
	ft in		1'5"	1'5"
F Track shoes 560 mm / 22"	Width over tracks	mm / ft in	2,340 / 7'8"	–
	Tractor shipping weight ¹⁾	kg / lb	11,559 / 25,483	–
F Track shoes 610 mm / 24"	Width over tracks	mm / ft in	–	2,590 / 8'6"
	Tractor shipping weight ¹⁾	kg / lb	–	11,718 / 25,834
F Track shoes 711 mm / 28"	Width over tracks	mm / ft in	–	2,691 / 8'10"
	Tractor shipping weight ¹⁾	kg / lb	–	11,933 / 26,308
F Track shoes 762 mm / 30"	Width over tracks	mm / ft in	–	2,742 / 9'
	Tractor shipping weight ¹⁾	kg / lb	–	12,042 / 26,548

¹⁾ Including coolant and lubricants, 20 % fuel, ROPS/FOPS cab.

Front Attachments



6-Way Blade with Inside Mounted Push Frame

		6-way blade	6-way blade with hinged corner	6-way blade	6-way blade with hinged corner
Undercarriage		XL	XL	LGP	LGP
Blade capacity, ISO 9246	m³	2.75	2.75	3.11	3.11
	yd³	3.6	3.6	4.07	4.07
A Height of blade	mm	1,100	1,100	1,100	1,100
	ft in	3'7"	3'7"	3'7"	3'7"
B Width of blade	mm	3,145	3,145	3,510	3,510
	ft in	10'4"	10'4"	11'6"	11'6"
B1 Width of blade, angled	mm	2,896	2,896	3,226	3,226
	ft in	9'6"	9'6"	10'7"	10'7"
Transport width	mm	2,896	2,467	3,226	2,808
	ft in	9'6"	8'1"	10'7"	9'3"
C Lifting height	mm	999	999	999	999
	ft in	3'3"	3'3"	3'3"	3'3"
D Digging depth	mm	511	511	511	511
	ft in	1'8"	1'8"	1'8"	1'8"
E Blade pitch adjustment		5°	5°	5°	5°
F Blade angle adjustment		25°	25°	25°	25°
Max. blade tilt	mm	448	448	500	500
	ft in	1'6"	1'6"	1'8"	1'8"
H Overall length, blade straight	mm	4,854	4,854	4,854	4,854
	ft in	15'11"	15'11"	15'11"	15'11"
H1 Overall length, blade angled	mm	5,477	5,477	5,555	5,555
	ft in	18'	18'	18'3"	18'3"
Track shoes 560 mm / 22"					
Operating weight ¹⁾	kg / lb	13,290 / 29,299	13,650 / 30,093	–	–
Ground pressure ¹⁾	kg/cm² / psi	0.46 / 6.54	0.47 / 6.68	–	–
Track shoes 610 mm / 24"					
Operating weight ¹⁾	kg / lb	–	–	13,506 / 29,776	13,876 / 30,591
Ground pressure ¹⁾	kg/cm² / psi	–	–	0.43 / 6.11	0.44 / 6.26
Track shoes 711 mm / 28"					
Operating weight ¹⁾	kg / lb	–	–	13,721 / 30,250	14,091 / 31,065
Ground pressure ¹⁾	kg/cm² / psi	–	–	0.37 / 5.26	0.38 / 5.4
Track shoes 762 mm / 30"					
Operating weight ¹⁾	kg / lb	–	–	13,830 / 30,490	14,200 / 31,306
Ground pressure ¹⁾	kg/cm² / psi	–	–	0.35 / 4.98	0.36 / 5.12

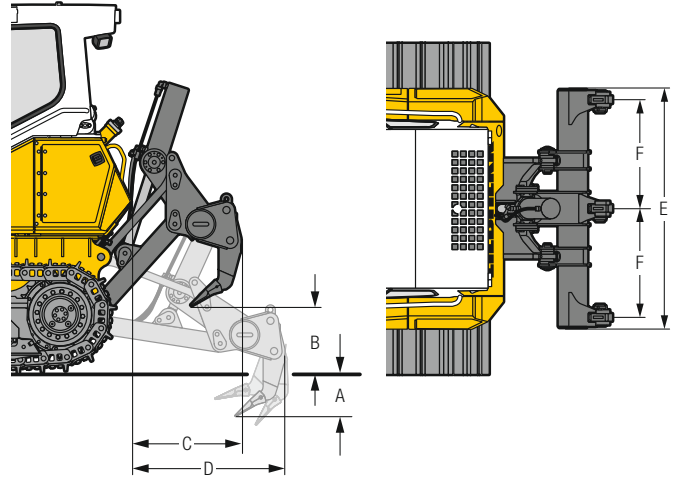
¹⁾ Including coolant and lubricants, 100% fuel, ROPS/FOPS cab, operator, 6-way blade.

Rear Attachments



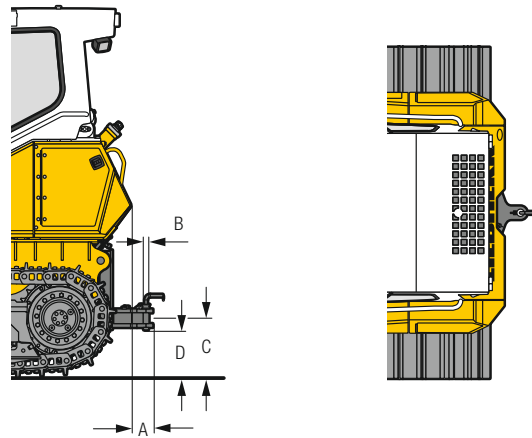
3-Shank Ripper

A Ripping depth	mm	418
	ft in	1'4"
B Lifting height	mm	498
	ft in	1'8"
C Additional length, attachment raised	mm	886
	ft in	2'11"
D Additional length, attachment lowered	mm	1,147
	ft in	3'9"
E Overall beam width	mm	1,970
	ft in	6'6"
F Distance between shanks	mm	900
	ft in	2'11"
Weight	kg	993
	lb	2,189



Drawbar

A Additional length	mm	172
	ft in	6.77"
B Socket pin diameter	mm	44.5
	ft in	1.75"
C Height of jaw	mm	424
	ft in	1'5"
D Ground clearance	mm	329
	ft in	1'1"
Jaw opening	mm	90
	ft in	3.54"
Weight	kg	157
	lb	346



Equipment



Base Machine

Additional handle on fuel tank	+
Air filter, dry type, dual step, with pre-filter	•
Auto Idle	+
Automatic engine shut-off	+
Battery compartment, lockable	•
Coal arrangement	1)
Cold environment arrangement	1)
Cooling fan, hinged (with tool)	•
Cooling fan, hydraulically driven	•
Cooling fan, reversible	+
Diesel Exhaust Fluid (DEF) tank, lockable	•
Diesel particulate filter	1)
Engine compartment doors, lockable	•
Forestry arrangement	1)
Fuel pre-filter	•
Fuel pre-filter, with electric heater	+
Fuel water separator	•
Grade control ready kit	+
Hydraulic oil level control	+
LIDAT – Data transmission system	•
Liebherr diesel engine emission stage IV/Tier 4f	•
Liebherr hydraulic oil, biologically degradable	+
Lugs for crane lifting, front	•
Radiator guard, hinged (with tool)	•
Radiator, wide-meshed	•
Refuelling pump, electric	+
Spade with mounting bracket	+
Special paint scheme	+
Tool kit, extended	+
Towing hitch rear	•



Hydraulic System

Blade float function	•
Blade quick drop function	•
Control block for 3 circuits	•
Hydraulic kit for ripper	+
Hydraulic kit for winch	+
Oil filter in hydraulic tank	•



Travel Drive

Emergency stop	•
Final drives planetary gear	•
Inch brake pedal	+
Load limit control, electronic	•
Parking brake, automatic	•
Seat contact switch	•
Travel control, 3 speed ranges	•
Travel drive joystick, detended	+
Travel drive joystick, proportional	•
Travel drive, hydrostatic	•



Operator's Cab

Air-conditioner	•
Armrests 3D adjustable	•
Cab heating	•
Coat hook	•
Dome light	•
Dust filter system pressurised	+
Fire extinguisher in the cab	+
Footrest on the right side of the front console	+
Grab handles at joysticks	+
Operator's seat Comfort, air-suspended	•
Operator's seat Premium, air-suspended	+
Pressurised cab	•
Protective grid, rear window	+
Radio	+
Radio preparation kit	+
Rear-mounted mirror for ripper	+
Rear-view camera	+
Rear-view mirror, inside	•
Rear-view mirrors, external	+
ROPS/FOPS integrated	•
Safety glass tinted	•
Sliding window left	+
Sliding window right	+
Socket 12 V	•
Storage nets	+
Stowage compartment, air-conditioned	•
Sunblind, front	+
Touch-controlled color display	•
Windshield washer system	•
Windshield wipers front, rear, doors, with intermittent function	•

• = Standard

+ = Option

1) On demand at your dealer

Equipment



Electrical System

2 additional working lights on the cab, rear	+
2 cold start batteries	•
2 working lights on the cab, rear	•
4 working lights on the cab, front	•
All working lights in LED version	+
Amber beacon	+
Back-up alarm	+
Back-up alarm, acoustic and visual	+
Back-up alarm, switchable	+
Battery main switch	•
Battery main switch, lockable	+
Horn	•
Immobiliser, electronic	+
On-board voltage 24 V	•



Undercarriage

Master link, two-piece	•
Sprocket segments with recesses	1)
Sprocket segments, bolted	•
Track guard, full length	+
Track guide, centre part	+
Track guide, front and rear	•
Track pads with mud holes ²⁾	+
Track shoes, moderate service	•
Tracks, oil-lubricated	•
Undercarriage LGP	+
Undercarriage with rotary bushings FTB ²⁾	+
Undercarriage XL	+

• = Standard

+ = Option

¹⁾ On demand at your dealer

²⁾ Available track shoes on demand at your dealer



Attachments Front

6-way blade	+
6-way blade with hinged corner	+
Blade pitch adjustment	+
Side wings for 6-way blade, bolt-on	+
Spill plate	+



Attachments Rear

Counterweight, rear (1,000 kg / 2,205 lb)	+
Drawbar rear, rigid	+
Mounting plate for third-party equipment	+
Ripper, 3 shanks	+
Winch	1)

Options and/or special attachments, supplied by vendors other than Liebherr, are only to be installed with the knowledge and approval of Liebherr in order to retain warranty.

Liebherr USA, Co.

Construction Equipment Division
 4100 Chestnut Avenue, Newport News, VA 23607, USA
 ☎ +1 (757) 245 5251, Fax +1 (757) 928 8701
 www.liebherr.us, E-Mail: Construction.USA@liebherr.com
 www.facebook.com/LiebherrConstruction