

Crawler Tractor

PR 726

Litronic®

Generation:

8

Operating Weight:

17,500 – 20,800 kg

38,581 – 45,856 lb

Engine Output:

125 kW / 168 HP (SAE J1349)

125 kW / 170 HP (ISO 9249)

Stage V / Tier 4f



LIEBHERR

Technical Data



Engine

Liebherr Diesel engine	D 934 A7 Emission regulations according to 97/68/EC, 2004/26/EC Stage V, EPA/CARB Tier 4f
Rated power (net)	
ISO 9249	125 kW / 170 HP
SAE J1349	125 kW / 168 HP
Maximum power (net)	
ISO 9249	140 kW / 190 HP
SAE J1349	140 kW / 188 HP
Rated speed	1,900 rpm
Displacement	7.0 l
Design	4 cylinder in-line engine, water-cooled, turbocharged, air-to-air intercooler
Injection system	Direct fuel injection, Common Rail, electronic control
Lubrication	Pressurised lube system, engine lubrication guaranteed for inclinations up to 45°, on all sides
Operating voltage	24 V
Alternator	140 A
Starter	7.8 kW / 11 HP
Batteries	2 x 180 Ah / 12 V
Air cleaner	Dry-type air cleaner with vacuum indicator and automatic dust filter system, main and safety elements
Cooling system	Combi radiator, comprising radiators for water, hydraulic fluid and charge air. Hydrostatic fan drive



Hydraulics

Hydraulic system	Load sensing (demand-controlled)
Pump type	Swash plate piston pump
Pump flow max.	140 l/min. / 37 gpm / 30.8 Imp.gmp
Pressure limitation	220 bar
Control valve	3 segments, expandable to 4
Filter system	Return filter with magnetic rod in the hydraulic tank
Control	Single joystick for all blade functions



Travel Drive, Control

Transmission system	Infinitely variable hydrostatic travel drive, independent drive for each track
Travel speed*	Continuously variable
Speed range 1:	0 – 6.5 km/h / 4.0 mph (forward & reverse)
Speed range 2:	0 – 8.5 km/h / 5.3 mph (forward & reverse)
Speed range 3:	0 – 11.0 km/h / 6.8 mph (forward & reverse)
	* Travel speed ranges can be set on the travel joystick (memory function)
Electronic control	The electronic system automatically adjusts travel speed and drawbar pull to match changing load conditions
Steering	Hydrostatic
Service brake	Hydrostatic (self-locking), wear-free
Parking brake	Multi-disk brake, wear-free, automatically applied with neutral joystick position
Cooling system	Hydraulic oil cooler integrated in combi radiator, hydrostatic fan drive
Filter system	Micro cartridge filters in replenishing circuit
Final drive	Combination spur gear with planetary gear, double-sealed (duo cone seals)
Control	Proportional single joystick for all travel and steering functions



Operator's Cab

Cab	Resiliently mounted cab with positive pressure ventilation, can be tilted with hand pump 40° to the rear. With integrated ROPS Rollover Protective Structure (EN ISO 3471) and FOPS Falling Objects Protective Structure (EN ISO 3449)
Operator's seat	Air-suspended comfort seat, fully adjustable
Monitoring	Touch screen: display of current machine information, automatic monitoring of operating conditions. Individual setting of machine parameters

Undercarriage

	XL	LGP
Design	Undercarriage with rigid bottom rollers	
Mounting	Via separate pivot shafts and equalizer bar	
Track chains	Lubricated, single-grouser shoes, tensioning via a steel spring and grease tensioner	
Links, each side	46	46
Track rollers, each side	8	8
Carrier rollers, each side	2	2
Sprocket segments, each side	6	6
Track shoes, standard	610 mm / 24"	812 mm / 32"
Track shoes, optional	560 mm / 22"	864 mm / 34"

Sound Levels

Operator sound exposure ISO 6396	
L _{pA} (in the cab)	75 dB(A)
Exterior sound pressure 2000/14/EC	
L _{WA} (to the environment)	109 dB(A)

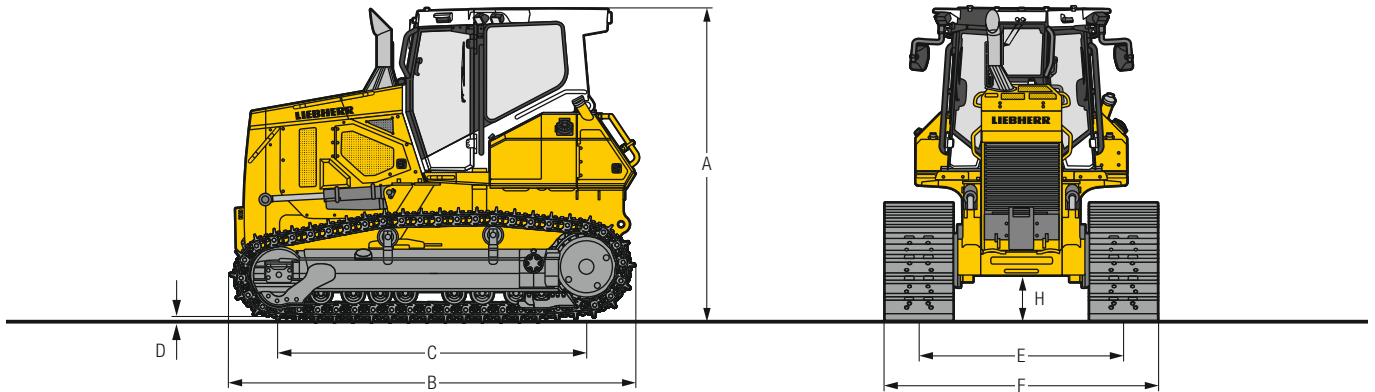
Refill Capacities

Fuel tank	430 l / 113.6 gal / 94.6 Imp.gal
Diesel Exhaust Fluid (DEF) tank	45 l / 11.9 gal / 9.9 Imp.gal
Cooling system	40 l / 10.6 gal / 8.8 Imp.gal
Engine oil, with filter	29 l / 7.7 gal / 6.4 Imp.gal
Hydraulic tank	111 l / 29.3 gal / 24.04 Imp.gal
Final drive XL, each side	16 l / 4.2 gal / 3.5 Imp.gal
Final drive LGP, each side	22.5 l / 5.9 gal / 4.9 Imp.gal

Drawbar Pull

Max.	268 kN
at 1.5 km/h / 0.9 mph	236 kN
at 3.0 km/h / 1.9 mph	123 kN
at 6.0 km/h / 3.7 mph	62 kN
at 9.0 km/h / 5.6 mph	41 kN

Dimensions

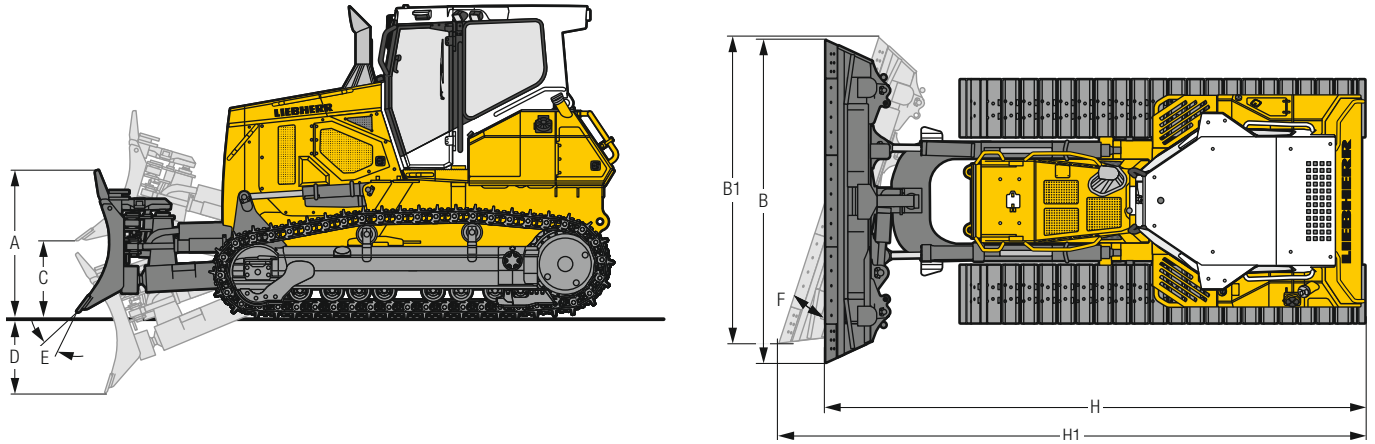


Dimensions

Undercarriage			XL	LGP
A Height over cab	mm		3,210	3,210
	ft in		10'6"	10'6"
B Overall length without attachments	mm		4,180	4,180
	ft in		13'9"	13'9"
C Length of track on ground	mm		3,168	3,168
	ft in		10'5"	10'5"
D Height of grousers	mm		56	56
	in		2.2"	2.2"
H Ground clearance	mm		429	429
	ft in		1'5"	1'5"
E Track gauge	mm		1,890	2,134
	ft in		6'2"	7'0"
F Track shoes 560 mm / 22"	Width over tracks	mm / ft in	2,450 / 8'0"	–
	Tractor shipping weight ¹⁾	kg / lb	15,130 / 33,356	
F Track shoes 610 mm / 24"	Width over tracks	mm / ft in	2,500 / 8'2"	–
	Tractor shipping weight ¹⁾	kg / lb	15,270 / 33,665	
F Track shoes 812 mm / 32"	Width over tracks	mm / ft in	–	2,946 / 9'8"
	Tractor shipping weight ¹⁾	kg / lb		16,042 / 35,367
F Track shoes 864 mm / 34"	Width over tracks	mm / ft in	–	2,998 / 9'10"
	Tractor shipping weight ¹⁾	kg / lb		16,323 / 35,986

¹⁾ Including coolant and lubricants, 20% fuel, ROPS/FOPS cab.

Front Attachments



6-Way Blade with Inside Mounted Push Frame

		6-way blade	6-way blade with hinged corners	6-way blade	6-way blade with hinged corners
Undercarriage		XL	XL	LGP	LGP
Blade capacity, ISO 9246	m³	3.33	3.33	3.87	3.87
	yd³	4.36	4.36	4.36	4.36
A Height of blade	mm	1,200	1,200	1,140	1,140
	ft in	3'11"	3'11"	3'9"	3'9"
B Width of blade	mm	3,302	3,292	4,031	4,021
	ft in	10'10"	10'10"	13'3"	13'2"
B1 Width of blade, angled	mm	3,026	3,059	3,692	3,725
	ft in	9'11"	10'0"	12'1"	12'3"
Transport width	mm	2,999 ²⁾	2,498	3,660 ²⁾	2,990
	ft in	9'10"	8'2"	12'0"	9'10"
C Lifting height	mm	1,144	1,144	1,135	1,135
	ft in	3'9"	3'9"	3'9"	3'9"
D Digging depth	mm	541	541	536	536
	ft in	1'9"	1'9"	1'9"	1'9"
E Blade pitch adjustment		5°	5°	5°	5°
F Blade angle adjustment		24°	24°	24°	24°
Max. blade tilt	mm	433	432	530	529
	ft in	1'5"	1'5"	1'9"	1'9"
H Overall length, blade straight	mm	5,542	5,542	5,519	5,519
	ft in	18'2"	18'2"	18'1"	18'1"
H1 Overall length, blade angled	mm	6,161	6,159	6,287	6,285
	ft in	20'3"	20'2"	20'8"	20'7"
Track shoes 560 mm / 22"					
Operating weight ¹⁾	kg / lb	17,518 / 38,621	17,795 / 39,231	–	–
Ground pressure ¹⁾	kg/cm² / psi	0.49 / 6.97	0.50 / 7.11		
Track shoes 610 mm / 24"					
Operating weight ¹⁾	kg / lb	17,658 / 38,929	17,935 / 39,540	–	–
Ground pressure ¹⁾	kg/cm² / psi	0.46 / 6.54	0.46 / 6.54		
Track shoes 812 mm / 32"					
Operating weight ¹⁾	kg / lb	–	–	18,583 / 41,588	18,908 / 41,685
Ground pressure ¹⁾	kg/cm² / psi			0.36 / 5.12	0.37 / 5.26
Track shoes 864 mm / 34"					
Operating weight ¹⁾	kg / lb	–	–	18,864 / 41,588	19,189 / 42,304
Ground pressure ¹⁾	kg/cm² / psi			0.34 / 4.83	0.35 / 4.98

¹⁾ Including coolant and lubricants, 100% fuel, ROPS/FOPS cab, operator, 6-way blade.

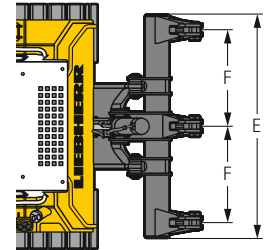
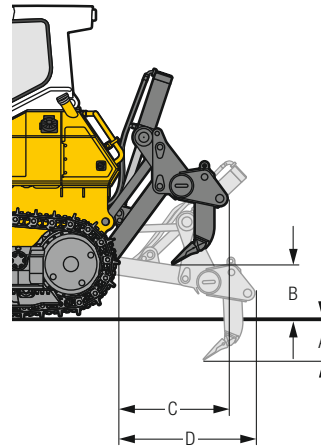
²⁾ Blade angled and max. tilted.

Rear Attachments



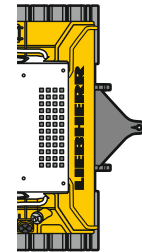
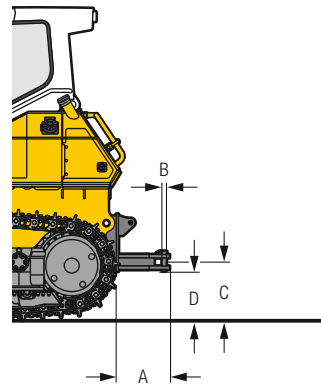
3-Shank Ripper

A	Ripping depth (max. / min.)	mm	501 / 351
		ft in	1'8" / 1'2"
B	Lifting height (max. / min.)	mm	649 / 499
		ft in	2'2" / 1'8"
C	Additional length, attachment raised	mm	1,083
		ft in	3'7"
D	Additional length, attachment lowered	mm	1,439
		ft in	4'9"
E	Overall beam width	mm	2,300
		ft in	7'7"
F	Distance between shanks	mm	1,000
		ft in	3'3"
	Max. pitch adjustment		-
	Weight	kg	1,443
		lb	3,181



Drawbar

A	Additional length	mm	474
		ft in	1'7"
B	Socket pin diameter	mm	45
		in	1.77"
C	Height of jaw	mm	529
		ft in	1'9"
D	Ground clearance	mm	434
		ft in	1'5"
	Jaw opening	mm	90
		in	4.36"
	Weight	kg	232
		lb	511



Equipment



Base Machine

Additional handle on fuel tank	+
Air filter with automatic dust ejector	•
Air filter, dry type, dual step, with pre-filter	•
Air pre-cleaner Sy-Klone	+
Air pre-cleaner Top Air	+
Auto Idle	+
Automatic blade stabilization + inclination control	•
Automatic engine shut-off	+
Battery compartment, lockable	•
Coal arrangement	1)
Cold environment arrangement	1)
Cooling fan, hinged	•
Cooling fan, hydraulically driven	•
Cooling fan, reversible	+
Diesel Exhaust Fluid (DEF) tank, lockable	•
Engine compartment doors, lockable	•
Engine compartment lighting	+
Forestry arrangement	1)
Fuel pre-filter	•
Fuel water separator	•
Fuel water separator heated	+
Grade control ready kit	+
LiDAT – Data transmission system	•
Liebherr diesel engine emission stage V/Tier 4f	•
Liebherr hydraulic oil, biologically degradable	+
Radiator guard, hinged	•
Radiator, wide-meshed	•
Refuelling pump, electric	+
Roof mounted grading system	+
Spade with mounting bracket	+
Special paint scheme	+
Tool kit, basic	•
Tool kit, extended	+
Towing hitch rear	•
Towing lug front	•



Hydraulic System

Blade float function	•
Blade quick drop function	•
Blade shake feature	•
Electronic control of working hydraulics	•
Hydraulic kit for ripper	+
Hydraulic kit for winch	+
Lifting the ripper into parking position	•
Oil filter in hydraulic tank	•
Variable flow pump, load-sensing	•



Travel Drive

Emergency stop	•
Final drives planetary gear	•
Inching brake pedal	+
Load limit control, electronic	•
Parking brake, automatic	•
Seat contact switch	•
Travel control, 3 speed ranges	•
Travel drive joystick, detented	+
Travel drive joystick, proportional	•
Travel drive, hydrostatic	•



Operator's Cab

Access and exit step lighting	•
Air-conditioner	•
Armrests 3D adjustable	•
Cab heating	•
Coat hook	•
Dome light LED	•
Dust filter system pressurised	+
Extension of cab door footsteps	+
Fire extinguisher in the cab	+
Footrest on the front console	+
Noise-absorbing cab mounts	•
Operator's seat Comfort, air-suspended	•
Operator's seat Premium, air-suspended	+
Pressurised cab	•
Protective grid, rear window	+
Radio	+
Radio preparation kit	+
Rear-mounted mirror for ripper	+
Rear-view camera	+
Rear-view mirror, inside	•
Rear-view mirrors, external	+
ROPS/FOPS integrated	•
Safety glass tinted	•
Sliding window left	+
Sliding window right	+
Socket 12 V + 24 V	•
Storage nets	+
Stowage compartment, air-conditioned	•
Sunblind, front	+
Tiltable cab	•
Touch-controlled color display	•
Warm water heating	+
Windshield washer system	•
Windshield wipers front, rear, doors, with intermittent function	•

• = Standard

+ = Option

1) On demand at your dealer

Equipment



Electrical System

2 additional working lights on the cab, rear	+
2 cold start batteries	•
2 working lights on the cab, rear	•
4 working lights on the cab, front	•
All working lights in LED version	+
Amber beacon	+
Back-up alarm with broadband signal	+
Back-up alarm with broadband signal and visual	+
Back-up alarm, acoustic	+
Back-up alarm, acoustic and visual	+
Battery main switch	•
Battery main switch, lockable	+
Horn	•
Immobiliser, electronic	+
On-board voltage 24 V	•



Undercarriage

Master link, two-piece	•
Sprocket segments with recesses	+
Sprocket segments, bolted	•
Track frame, closed	•
Track guard, full length	+
Track guide, centre part	+
Track guides, front and rear	•
Track pads with mud holes ²⁾	+
Track shoes, moderate service	•
Tracks, oil-lubricated	•
Undercarriage LGP	+
Undercarriage with rigid bottom rollers	•
Undercarriage with rotary bushings FTB ²⁾	+
Undercarriage XL	+

• = Standard

+ = Option

¹⁾ On demand at your dealer

²⁾ Available track shoes on demand at your dealer

Standard equipment may vary. Consult your Liebherr dealer for details.



Attachments Front

6-way blade	+
6-way blade with hinged corners	+
Guards for hydraulic cylinders, 6-way blade	+
Side wings for 6-way blade, bolt-on	+
Spill plate	+
Trash rack	+



Attachments Rear

Counterweight, rear (1,567 kg / 3,455 lb)	+
Drawbar rear, rigid	+
Mounting plate for third-party equipment	+
Ripper, 3 shanks	+
Ripper, 5 shanks	+
Towing hitch on ripper	+
Winch	+

WARNING

This product can expose you to chemicals including lead and lead compounds, which are known to the State of California to cause cancer and birth defects or other reproductive harm.
For more information go to www.P65warnings.ca.gov.

WARNING

Breathing diesel engine exhaust exposes you to chemicals known to the State of California to cause cancer and birth defects or other reproductive harm.

- ▶ Always start and operate the engine in a well-ventilated area.
- ▶ If in an enclosed area, vent the exhaust to the outside.
- ▶ Do not modify or tamper with exhaust system.
- ▶ Do not idle the engine except as necessary.

For more information go to www.P65warnings.ca.gov/diesel.

Liebherr-Werk Telfs GmbH

Hans Liebherr-Straße 35, A-6410 Telfs
 ☎ +43 50809 6-100, Fax +43 50809 6-7772
www.liebherr.com, E-Mail: lwt.marketing@liebherr.com
www.facebook.com/LiebherrConstruction