

Crawler Tractors

PR 736

Litronic®

Generation

8

Operating Weight

21,200–25,500 kg / 46,700–56,200 lb

Engine Output

SAE J1349 ISO 9249

160 kW/214 HP 160 kW/217 HP

Tier 4f Stage V



LIEBHERR

Technical Data



Engine

Liebherr Diesel engine	D 934 EVO Emission regulations according to 97/68/EC, 2004/26/EC Stage V, EPA/CARB Tier 4f
Rated power (net)	
ISO 9249	160 kW/217 HP
SAE J1349	160 kW/214 HP
Maximum power (net)	
ISO 9249	175 kW/238 HP
SAE J1349	175 kW/235 HP
Rated speed	1,900 rpm
Displacement	7.0 l/427 in ³
Design	4 cylinder in-line engine, water-cooled, turbocharged, air-to-air intercooler
Injection system	Direct fuel injection, Common Rail, electronic control
Lubrication	Pressurised lube system, engine lubrication guaranteed for inclinations up to 45°, on all sides
Operating voltage	24 V
Alternator	140 A
Starter	7.8 kW/11 HP
Batteries	2 x 180 Ah/12 V
Air cleaner	Dry-type air cleaner with vacuum indicator and automatic dust filter system, main and safety elements
Cooling system	Combi radiator, comprising radiators for water, hydraulic fluid, charge air. Hydrostatic fan drive



Hydraulics

Hydraulic system	Load sensing (demand-controlled)
Pump type	Swash plate piston pump
Pump flow max.	190 l/min./50.2 gpm/41.8 Imp.gpm
Pressure limitation	260 bar/3,770 psi (6-way blade) 200 bar/2,900 psi (Straight blade)
Control valve	2 segments, expandable to 4
Filter system	Return filter with magnetic rod in the hydraulic tank
Control	Single joystick for all blade functions



Travel Drive, Control

Transmission system	Infinitely variable hydrostatic travel drive, independent drive for each track
Travel speed*	Continuously variable
Speed range 1:	0–6.5 km/h/4.0 mph (forward & reverse)
Speed range 2:	0–8.5 km/h/5.3 mph (forward & reverse)
Speed range 3:	0–11.0 km/h/6.8 mph (forward & reverse)
	* Travel speed ranges can be set on the travel joystick (memory function)
Electronic control	The electronic system automatically adjusts travel speed and drawbar pull to match changing load conditions
Steering	Hydrostatic
Service brake	Hydrostatic (self-locking), wear-free
Parking brake	Multi-disk brake, wear-free, automatically applied with neutral joystick position
Cooling system	Hydraulic oil cooler integrated in combi radiator, hydrostatic fan drive
Filter system	Micro cartridge filters in replenishing circuit
Final drive	Combination spur gear with planetary gear, double-sealed (duo cone seals) with temperature control
Control	Proportional joystick for all travel and steering functions. Optional: detented joystick, with inching pedal



Operator's Cab

Cab	Resiliently mounted cab with positive pressure ventilation, can be tilted with hand pump 40° to the rear. With integrated ROPS Rollover Protective Structure (EN ISO 3471) and FOPS Falling Objects Protective Structure (EN ISO 3449)
Operator's seat	Air-suspended comfort seat, fully adjustable
Monitoring	Touch screen: display of current machine information, automatic monitoring of operating conditions. Individual setting of machine parameters

Undercarriage

	XL	LGP
Design	Undercarriage with rigid bottom rollers	
Mounting	Via separate pivot shafts and equalizer bar	
Track chains	Lubricated, single-grouser shoes, tensioning via a steel spring and grease tensioner	
Links, each side	45	45
Track rollers, each side	7	7
Carrier rollers, each side	2	2
Sprocket segments, each side	6	6
Track shoes, standard	610 mm/24"	711 mm/28" 812 mm/32"
Track shoes, optional	560 mm/22"	914 mm/36" 965 mm/38"



Sound Levels

Operator sound exposure ISO 6396	
L _{pA} (in the cab)	75 dB(A)
Exterior sound pressure 2000/14/EC	
L _{WA} (to the environment)	111 dB(A)



Refill Capacities

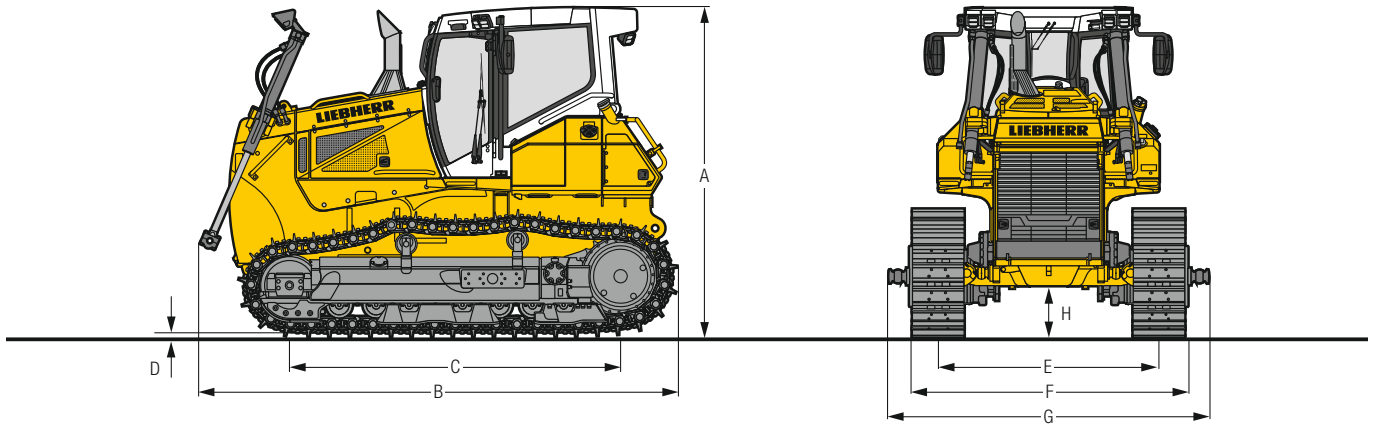
Final drive XL (outside push frame), each side	15 l/4 gal/3.3 Imp.gal
Final drive XL (inside push frame), each side	22 l/5.8 gal/4.8 Imp.gal
Final drive LGP (outside push frame), each side	26.5 l/7 gal/5.8 Imp.gal
Final drive LGP (inside push frame), each side	30 l/7.9 gal/6.6 Imp.gal
Diesel Exhaust Fluid (DEF) tank	45 l/11.9 gal/9.9 Imp.gal
Hydraulic tank	111 l/29.3 gal/24.4 Imp.gal
Fuel tank	430 l/113.5 gal/94.6 Imp.gal
Cooling system	41 l/10.8 gal/9 Imp.gal
Engine oil, with filter	29 l/7.7 gal/6.4 Imp.gal



Drawbar Pull

Max.	314 kN
at 1.5 km/h/0.9 mph	277 kN
at 3.0 km/h/1.9 mph	164 kN
at 6.0 km/h/3.7 mph	82 kN
at 9.0 km/h/5.6 mph	55 kN

Dimensions

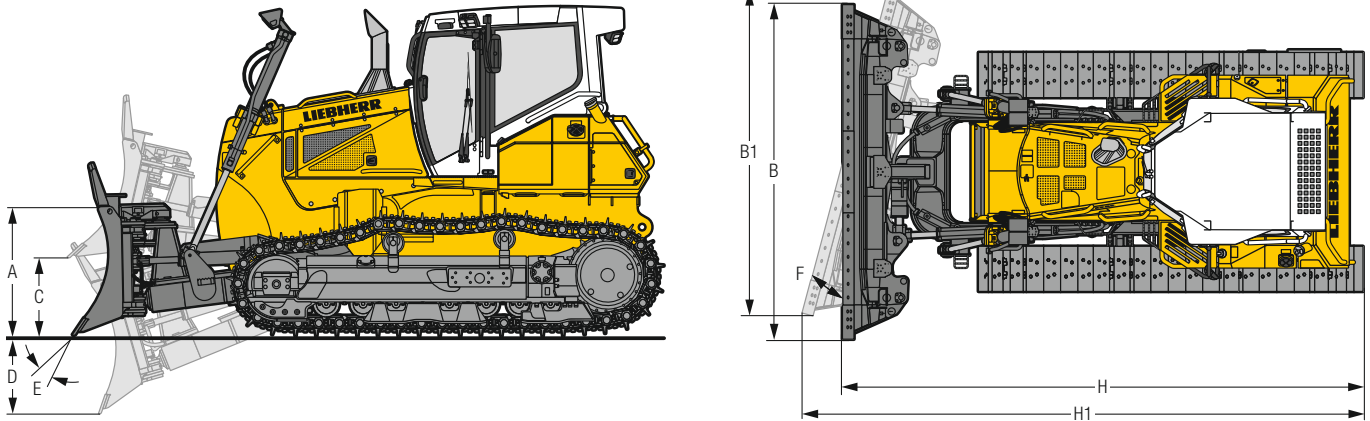


Dimensions

Push frame		inside		outside		inside		outside	
Undercarriage		XL		XL		LGP		LGP	
A	Height over cab	mm	3,253					3,253	
		ft in	10'8"					10'8"	
B	Overall length without attachments	mm	4,428					4,428	
		ft in	14'6"					14'6"	
C	Length of track on ground	mm	3,283					3,283	
		ft in	10'9"					10'9"	
D	Height of grousers	mm	65					65	
		ft in	2.5"					2.5"	
H	Ground clearance	mm	511					511	
		ft in	1'8"					1'8"	
E	Track gauge	mm	2,180	1,830		2,290/2,390		2,180	
		ft in	7'2"	6'0"		7'6"/7'10"		7'2"	
G	Width over trunnions	mm	–	2,724		–		3,474	
		ft in	–	8'11"		–		11'5"	
F	Track shoes 560 mm / 22"								
	Width over tracks	mm / ft in	2,740 / 9'	2,390 / 7'10"		–		–	
	Tractor shipping weight ¹⁾	kg / lb	18,321 / 40,391	18,396 / 40,556		–		–	
F	Track shoes 610 mm / 24"								
	Width over tracks	mm / ft in	2,790 / 7'10"	2,440 / 8'0"		–		–	
	Tractor shipping weight ¹⁾	kg / lb	18,460 / 40,697	18,535 / 40,863		–		–	
F	Track shoes 711 mm / 28"								
	Width over tracks	mm / ft in	–	–		3,000 / 9'10"		–	
	Tractor shipping weight ¹⁾	kg / lb	–	–		18,759 / 41,356		–	
F	Track shoes 812 mm / 32"								
	Width over tracks	mm / ft in	–	–		3,202 / 10'6"		2,992 / 9'10"	
	Tractor shipping weight ¹⁾	kg / lb	–	–		19,038 / 41,972		19,281 / 42,507	
F	Track shoes 914 mm / 36"								
	Width over tracks	mm / ft in	–	–		–		3,094 / 10'2"	
	Tractor shipping weight ¹⁾	kg / lb	–	–		–		19,577 / 43,160	
F	Track shoes 965 mm / 38"								
	Width over tracks	mm / ft in	–	–		–		3,145 / 10'4"	
	Tractor shipping weight ¹⁾	kg / lb	–	–		–		19,729 / 43,495	

¹⁾ Including coolant and lubricants, 20% fuel, ROPS/FOPS cab.

Front Attachments



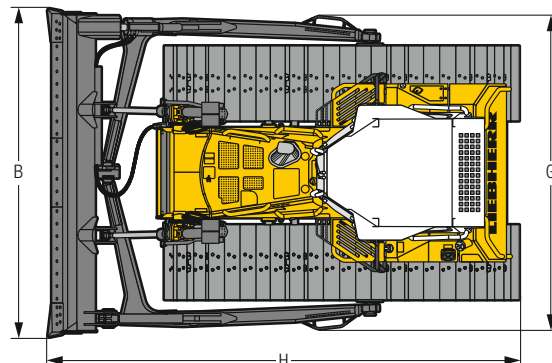
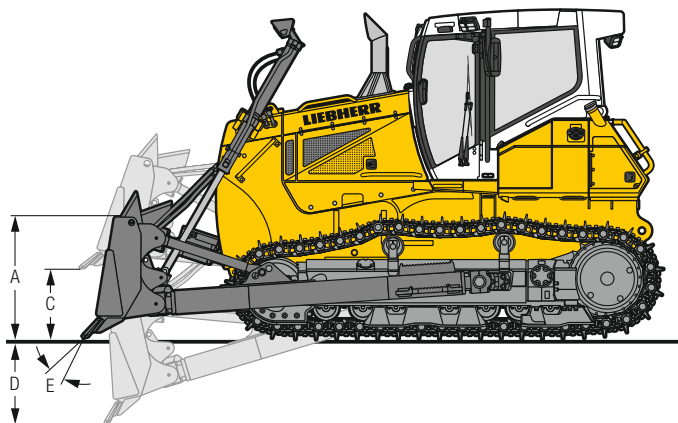
6-Way Blade with Inside Mounted Push Frame

		6-way blade	6-way blade with hinged corners	6-way blade	6-way blade with hinged corners
Undercarriage		XL	XL	LGP	LGP
Blade capacity, ISO 9246	m³	4.78	4.78	4.84	4.84
	yd³	6.25	6.25	6.33	6.33
A Height of blade	mm	1,350	1,350	1,250	1,250
	ft in	4'5"	4'5"	4'1"	4'1"
B Width of blade	mm	3,764	3,764	4,210	4,210
	ft in	12'4"	12'4"	13'10"	13'10"
B1 Width of blade, angled	mm	3,508	3,508	3,918	3,918
	ft in	11'6"	11'6"	12'10"	12'10"
Transport width	mm	3,469	2,990	3,876	3,000 ²⁾
	ft in	11'5"	9'10"	12'9"	9'10"
C Lifting height	mm	1,267	1,267	1,260	1,260
	ft in	4'2"	4'2"	4'1"	3'11"
D Digging depth	mm	665	665	661	661
	ft in	2'18"	2'18"	2'16"	2'16"
E Blade pitch adjustment		5°	5°	5°	5°
F Blade angle adjustment		23.3°	23.3°	23.3°	23.3°
Max. blade tilt	mm	479	479	536	536
	ft in	1'7"	1'7"	1'9"	1'9"
H Overall length, blade straight	mm	5,878	5,878	5,861	5,861
	ft in	19'3"	19'3"	19'3"	19'3"
H1 Overall length, blade angled	mm	6,567	6,567	6,640	6,640
	ft in	21'7"	21'7"	21'9"	21'9"
Track shoes 560 mm / 22"					
Operating weight ¹⁾	kg / lb	21,604 / 47,629	22,026 / 48,559	–	–
Ground pressure ¹⁾	kg/cm² / psi	0.59 / 8.39	0.60 / 8.53	–	–
Track shoes 610 mm / 24"					
Operating weight ¹⁾	kg / lb	21,743 / 47,935	22,165 / 48,865	–	–
Ground pressure ¹⁾	kg/cm² / psi	0.54 / 7.68	0.55 / 7.82	–	–
Track shoes 711 mm / 28"					
Operating weight ¹⁾	kg / lb	–	–	22,267 / 49,090	22,761 / 50,179
Ground pressure ¹⁾	kg/cm² / psi	–	–	0.48 / 6.83	0.49 / 6.97
Track shoes 812 mm / 32"					
Operating weight ¹⁾	kg / lb	–	–	22,546 / 49,705	23,040 / 50,794
Ground pressure ¹⁾	kg/cm² / psi	–	–	0.42 / 5.97	0.43 / 6.11

¹⁾ Including coolant and lubricants, 100% fuel, ROPS/FOPS cab, operator, 6-way blade.

²⁾ Transport width 3,000 mm with 711 mm (28") track pads. Transport width 3,202 mm with 812 mm (32") track pads.

Front Attachments



Semi-U Blade and Straight Blade

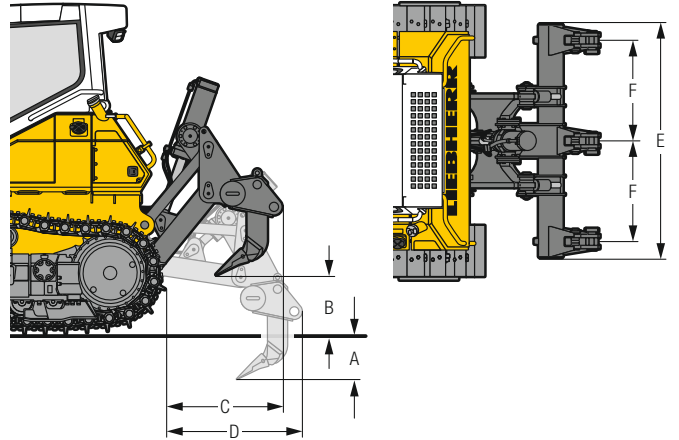
		Semi-U blade	Straight blade
Undercarriage		XL	LGP
Blade capacity, ISO 9246	m³	5.56	4.10
	yd³	7.27	5.36
A Height of blade	mm	1,400	1,150
	ft in	4'7"	3'9"
B Width of blade	mm	3,372	3,995
	ft in	11'1"	13'1"
C Lifting height	mm	1,216	1,225
	ft in	4'	4'
D Digging depth	mm	511	516
	ft in	1'67"	1'69"
E Blade pitch adjustment		10°	10°
Max. blade tilt	mm	432	395
	ft in	1'5"	1'4"
G Width over push frame	mm	3,086	3,836
	ft in	10'1"	12'7"
H Overall length	mm	5,968	5,758
	ft in	19'7"	18'11"
Track shoes 560 mm / 22"			
Operating weight ¹⁾	kg / lb	21,165 / 46,661	–
Ground pressure ¹⁾	kg/cm² / psi	0.58 / 8.25	–
Track shoes 610 mm / 24"			
Operating weight ¹⁾	kg / lb	21,306 / 46,972	–
Ground pressure ¹⁾	kg/cm² / psi	0.53 / 7.54	–
Track shoes 812 mm / 32"			
Operating weight ¹⁾	kg / lb	–	22,536 / 49,683
Ground pressure ¹⁾	kg/cm² / psi	–	0.42 / 5.97
Track shoes 914 mm / 36"			
Operating weight ¹⁾	kg / lb	–	22,832 / 50,336
Ground pressure ¹⁾	kg/cm² / psi	–	0.38 / 5.4
Track shoes 965 mm / 38"			
Operating weight ¹⁾	kg / lb	–	22,984 / 50,671
Ground pressure ¹⁾	kg/cm² / psi	–	0.36 / 5.12

¹⁾ Including coolant and lubricants, 100% fuel, ROPS/FOPS cab, operator, semi-U or straight blade.

Rear Attachments

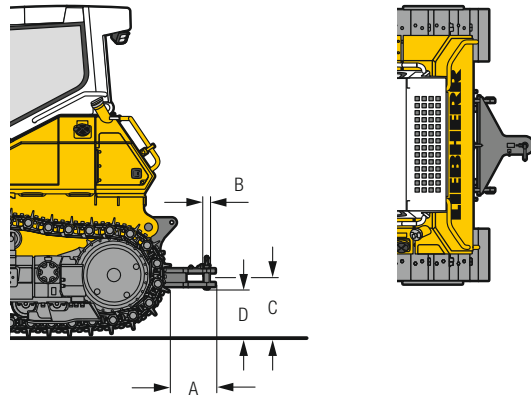
3-Shank Ripper

A	Ripping depth (max./min.)	mm	449/299
		ft in	1'5"/1'
B	Lifting height (max./min.)	mm	738/588
		ft in	2'4"/1'9"
C	Additional length, attachment raised	mm	1,138
		ft in	3'9"
D	Additional length, attachment lowered	mm	1,469
		ft in	4'10"
E	Overall beam width	mm	2,320
		ft in	7'7"
F	Distance between shanks	mm	1,000
		ft in	3'3"
	Max. pitch adjustment		-
	Weight	kg	1,920
		lb	4,233



Drawbar

			rigid
A	Additional length	mm	436
		ft in	1'5"
B	Socket pin diameter	mm	50
		in	1.97"
C	Height of jaw	mm	580
		ft in	1'9"
D	Ground clearance	mm	492
		ft in	1'6"
	Jaw opening	mm	95
		in	3.74"
	Weight	kg	280
		lb	617



Equipment



Base Machine

Additional handle on fuel tank	+
Air filter with automatic dust ejector	•
Air filter, dry type, dual step, with pre-filter	•
Air pre-cleaner Sy-Klone	+
Air pre-cleaner Top Air	+
Auto Idle	+
Automatic blade stabilization + inclination control	•
Automatic engine shut-off	+
Battery compartment, lockable	•
Coal arrangement	+
Cold environment arrangement	+
Cooling fan front, tilt-out	•
Cooling fan, hydraulically driven	•
Cooling fan, reversible	+
Diesel Exhaust Fluid (DEF) tank, lockable	•
Engine compartment doors, lockable	•
Engine compartment lighting	•
Forestry arrangement	+
Fuel pre-filter	•
Fuel pre-filter, with electric heater	+
Fuel water separator	•
Fuel water separator, with electric heater	+
Grade control ready kit	+
Landfill arrangement	+
LiDAT – Data transmission system	•
Liebherr diesel engine emission stage V/Tier 4f	•
Liebherr hydraulic oil, biologically degradable	+
Radiator guard, hinged	•
Radiator, wide-meshed	•
Refuelling pump, electric	+
Roof mounted grading system	+
Spade with mounting bracket	+
Special paint scheme	+
Tool kit, basic	•
Tool kit, extended	+
Towing hitch rear	•
Towing lug front	•
Woodchip arrangement	+



Hydraulics System

Automatic lifting of the ripper into the parking position	•
Blade float function	•
Blade quick drop function	•
Blade shake feature	•
Electronic control of working hydraulics	•
Hydraulic kit for ripper	+
Hydraulic kit for winch	+
Oil filter in hydraulic tank	•
Variable flow pump, load-sensing	•



Travel Drive

Emergency stop	•
Final drives planetary gear	•
Inching brake pedal	+
Load limit control, electronic	•
Machine-release switch	•
Parking brake, automatic	•
Seat contact switch	•
Travel control, 3 speed ranges	•
Travel drive joystick, detented	+
Travel drive joystick, proportional	•
Travel drive, hydrostatic	•



Operator's Cab

Access and exit step lighting	•
Armrests 3D adjustable	•
Automatic climate control	•
Cab heating	•
Coat hook	•
Dome light LED	•
Dust filter system pressurised	+
Extension of cab door footstep	+
Fire extinguisher	+
Footrest on the right side of the front console	+
Joysticks, longitudinally adjustable	•
Noise-absorbing cab mounts	•
Operator's seat Comfort, air-suspended	•
Operator's seat Premium, air-suspended	+
Pressurised cab	•
Protective grid for rear window	+
Radio	+
Radio preparation kit	+
Rear-view camera	+
Rear-view mirror, inside	•
Rear-view mirrors, external	+
ROPS/FOPS integrated	•
Safety glass	•
Sliding window left	+
Sliding window right	+
Socket 12 V + 24 V	•
Storage nets	+
Stowage compartment, air-conditioned	•
Sun visor, front	+
Tilttable cab	•
Touch-controlled colour display	•
Warm water heating	+
Windshield washer system	•
Windshield wipers front, rear, doors, with intermittent function	•

- = Standard
- + = Option
- = not available
- ¹⁾ on demand at your dealer

Equipment

Electrical System

1 additional working light on each lift cylinder	•
1 additional working light on each lift cylinder	+
2 additional working light on the cab, rear	+
2 batteries cold start	•
2 working lights on the cab, rear	•
4 working light on the cab, front	•
All working lights in LED version	+
Back-up alarm with broadband signal	+
Back-up alarm with broadband signal and visual	+
Back-up alarm, acoustic	•
Back-up alarm, acoustic and visual	+
Battery main switch	•
Battery main switch, lockable	+
Beacon	+
Horn	•
Immobiliser, electronic	+
On-board voltage 24 V	•

Undercarriage

Master link, two-piece	•
Sprocket segments with recesses	+
Sprocket segments, bolted	•
Track frame, closed	•
Track guard, full length	+
Track guide centre part	+
Track guide, front and rear	•
Track pads with mud holes ²⁾	+
Track shoes, heavy duty	1)
Track shoes, moderate service	•
Tracks, oil-lubricated	•
Undercarriage LGP	+
Undercarriage with rigid bottom rollers	•
Undercarriage with rotary bushings FTB ²⁾	+
Undercarriage XL	•

Attachments Front

6-way blade	+
6-way blade with hinged corners	+
Guards for hydraulic cylinders, 6-way blade	+
Mechanical angle blade	+
Semi-U blade	+
Side wings for 6-way blade, bolt-on	+
Side wings for straight blade, bolt-on	+
Spill plate	+
Straight blade	+
Trash rack	+
U blade	1)
Wear plates on push frame	+
Wear plates on semi-U blade	+

Attachments Rear

Counterweight, rear (2,000 kg / 4,409 lb)	+
Drawbar rear, rigid	+
Mounting plate for third-party equipment	+
Ripper, 1 shank	+
Ripper, 3 shank	+
Winch	+

• = Standard

+ = Option

- = not available

¹⁾ on demand at your dealer

²⁾ available track shoes on demand at your dealer

Options and/or special attachments, supplied by vendors other than Liebherr, are only to be installed with the knowledge and approval of Liebherr in order to retain warranty.

The Liebherr Group of Companies



Wide Product Range

The Liebherr Group is one of the largest construction equipment manufacturers in the world. Liebherr's high-value products and services enjoy a high reputation in many other fields. The wide range includes domestic appliances, aerospace and transportation systems, machine tools and maritime cranes.

Exceptional Customer Benefit

Every product line provides a complete range of models in many different versions. With both their technical excellence and acknowledged quality, Liebherr products offer a maximum of customer benefits in practical applications.

State-of-the-art Technology

To provide consistent, top quality products, Liebherr attaches great importance to each product area, its components and core technologies. Important modules and components are developed and manufactured in-house, for instance the entire drive and control technology for construction equipment.

Worldwide and Independent

Hans Liebherr founded the Liebherr family company in 1949. Since then, the family business has steadily grown to a group of more than 130 companies with more than 48,000 employees located on all continents. The corporate headquarters of the Group is Liebherr-International AG in Bulle, Switzerland. The Liebherr family is the sole owner of the company.

www.liebherr.com

WARNING

This product can expose you to chemicals including lead and lead compounds, which are known to the State of California to cause cancer and birth defects or other reproductive harm.
For more information go to www.P65warnings.ca.gov.

WARNING

Breathing diesel engine exhaust exposes you to chemicals known to the State of California to cause cancer and birth defects or other reproductive harm.

- ▶ Always start and operate the engine in a well-ventilated area.
- ▶ If in an enclosed area, vent the exhaust to the outside.
- ▶ Do not modify or tamper with exhaust system.
- ▶ Do not idle the engine except as necessary.

For more information go to www.P65warnings.ca.gov/diesel.

Liebherr-Werk Telfs GmbH

Hans Liebherr-Straße 35, A-6410 Telfs
☎ +43 50809 6-100, Fax +43 50809 6-7772
www.liebherr.com, E-Mail: lwt.marketing@liebherr.com
www.facebook.com/LiebherrConstruction